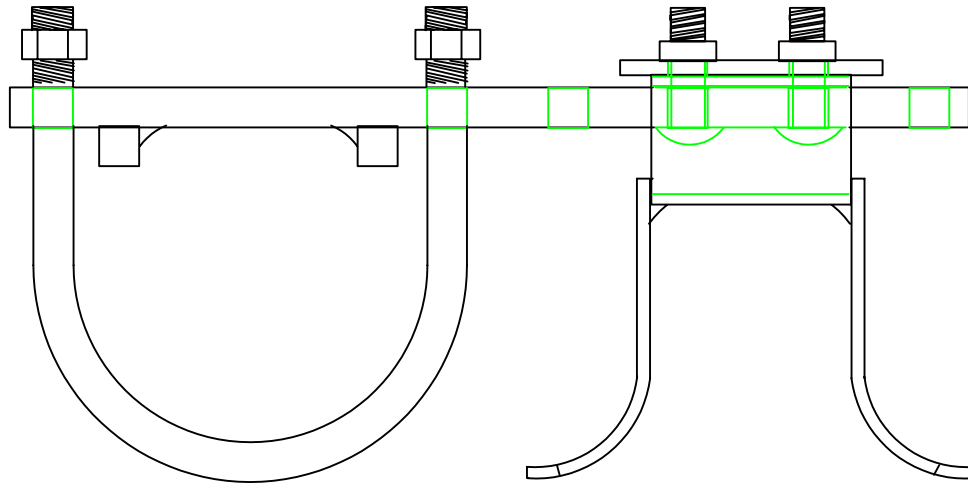
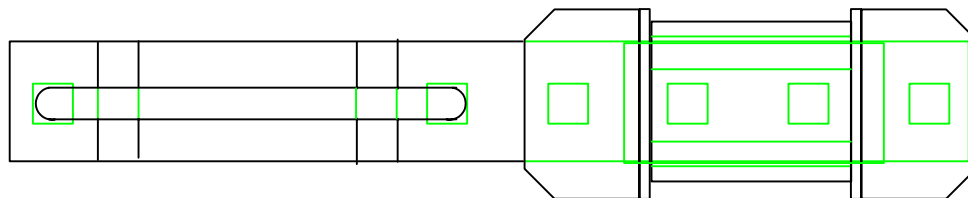


M & M LATCH

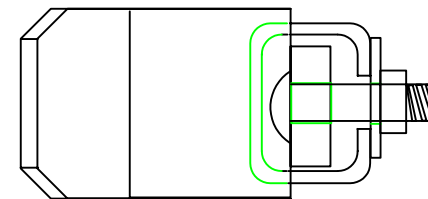
UL 325 COMPLIANT LATCH



TOP VIEW



FRONT VIEW



SIDE VIEW