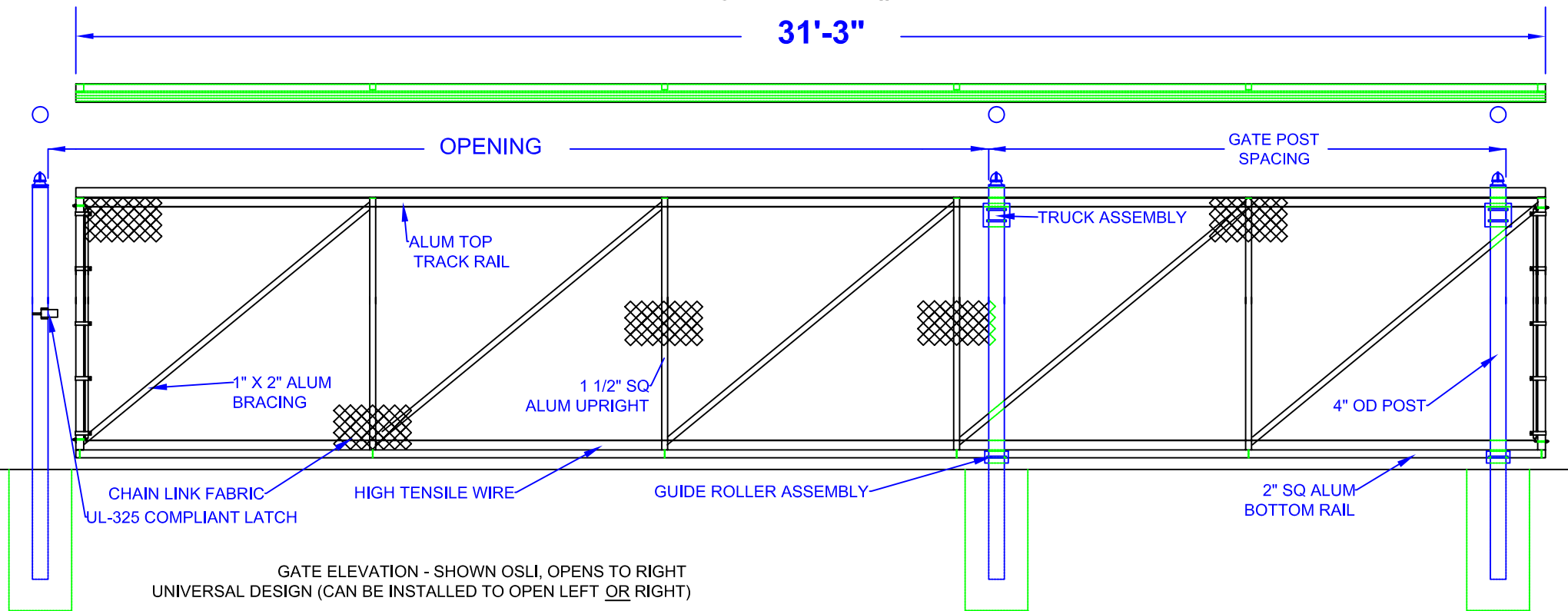


19'- 22' X 6' ALUMINUM SLIDE GATE (ASG-226)

GATE PART #



GATE ELEVATION - SHOWN OSLI, OPENS TO RIGHT
UNIVERSAL DESIGN (CAN BE INSTALLED TO OPEN LEFT OR RIGHT)

Notes:

1. SPECIFICATIONS CAN BE CHANGED BY SHARON FENCE COMPANY ONLY.
2. FOOTING TO BE (4)X POST WIDTH. MIN DEPTH TO BE 36" [914 MM].
3. GATES MAY BE MANUALLY OR ELECTRICALLY OPERATED. HARDWARE WILL VARY.
4. GATES TABULATED ARE UL-325 COMPLIANT.
5. GATES ARE UNIVERSAL (OPEN TO LEFT OR RIGHT).
6. TOP TRACK AND RAIL: ENCLOSED 1-PC ALUMINUM (6061-T6) EXTRUSION (3.83 LBS PER LF)
7. 1" x 2" ALUMINUM DIAGONAL BRACING WELDED TO 2" SQUARE UPRIGHTS.

OPENING	GATE POST SPACING	Approved By: _____ Date: _____
19'	12'-0"	
20'	11'-0"	
21'	10'-0"	
22'	9'-0"	