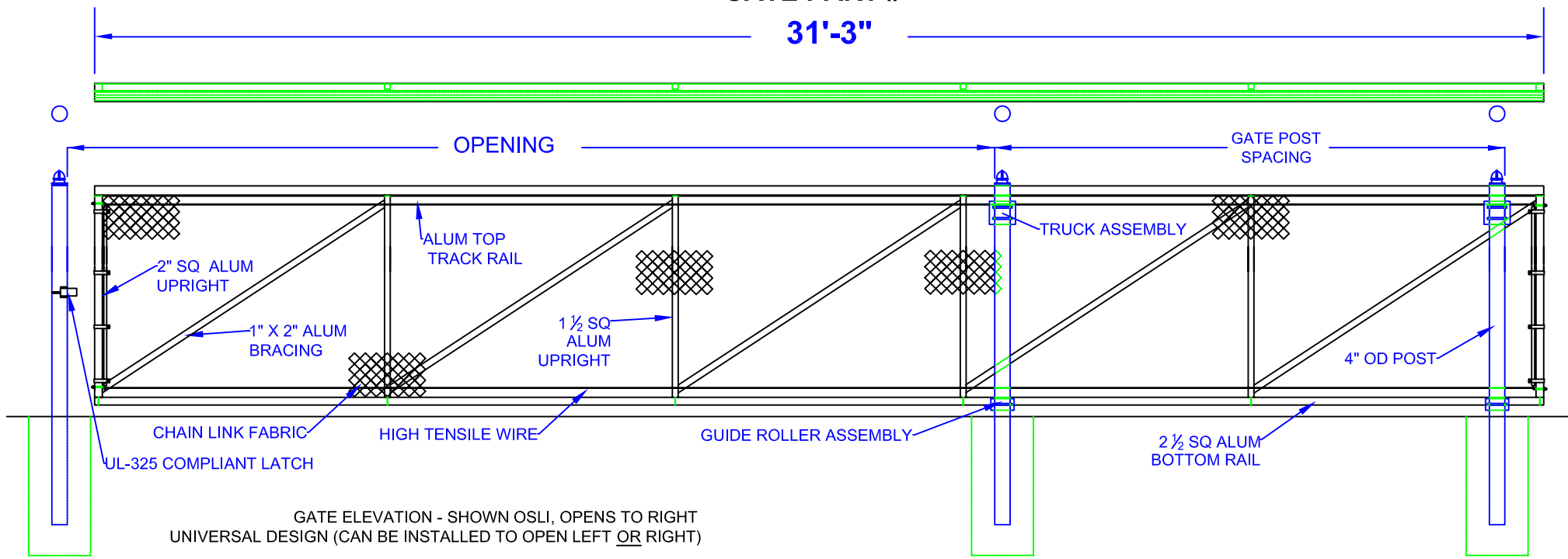


19' - 22' X 5' ALUMINUM SLIDE GATE (ASG-225)

GATE PART #

31'-3"



GATE ELEVATION - SHOWN OSLI, OPENS TO RIGHT
UNIVERSAL DESIGN (CAN BE INSTALLED TO OPEN LEFT OR RIGHT)

Notes:

1. SPECIFICATIONS CAN BE CHANGED BY SHARON FENCE COMPANY ONLY.
2. FOOTING TO BE (4)X POST WIDTH. MIN DEPTH TO BE 36" [914 MM].
3. GATES MAY BE MANUALLY OR ELECTRICALLY OPERATED. HARDWARE WILL VARY.
4. GATES TABULATED ARE UL-325 COMPLIANT.
5. GATES ARE UNIVERSAL (OPEN TO LEFT OR RIGHT).
6. TOP TRACK AND RAIL: ENCLOSED 1-PC ALUMINUM (6061-T6) EXTRUSION (3.83 LBS PER LF)
7. 1" x 2" ALUMINUM DIAGONAL BRACING WELDED TO 2" SQUARE UPRIGHTS.

OPENING	GATE POST SPACING
19'	12'-0"
20'	11'-0"
21'	10'-0"
22'	9'-0"

Approved By: _____

Date: _____