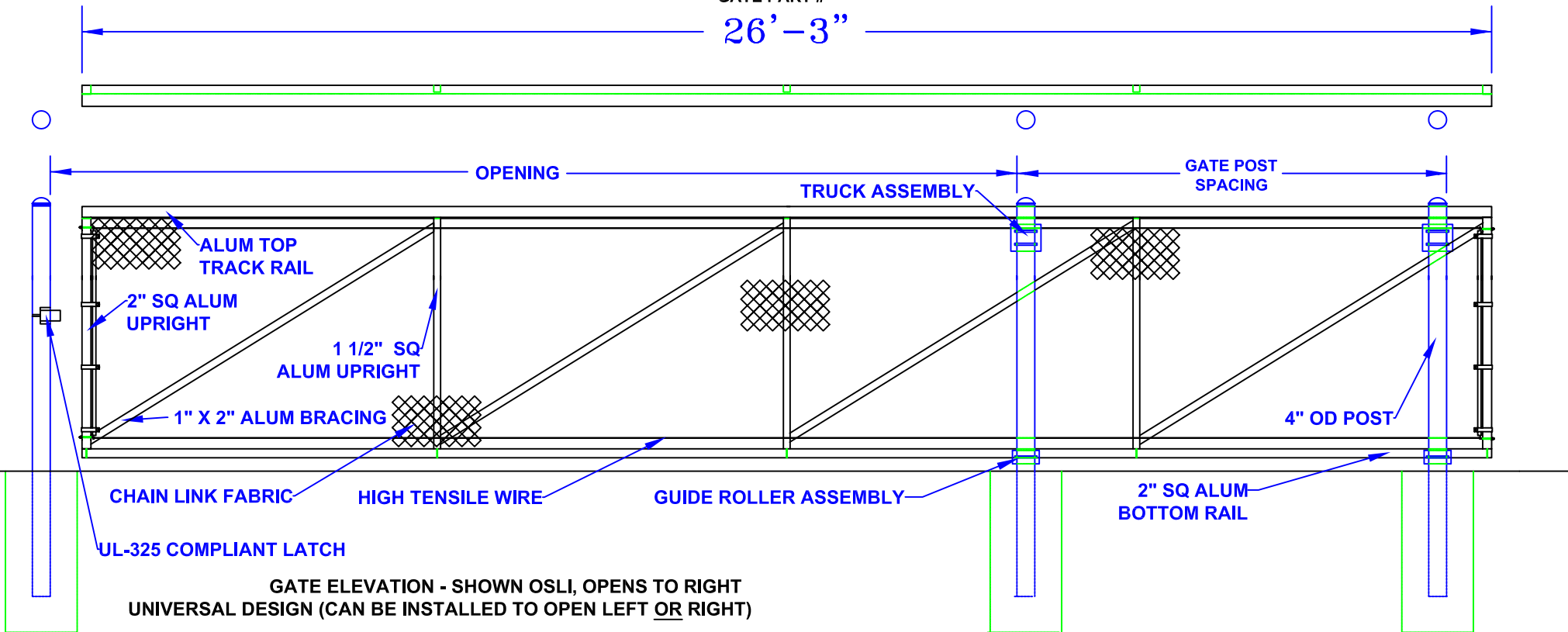


# 15' - 18' x 5' ALUMINUM SLIDE GATE (ASG-185)

GATE PART #

26'-3"



GATE ELEVATION - SHOWN OSLI, OPENS TO RIGHT  
UNIVERSAL DESIGN (CAN BE INSTALLED TO OPEN LEFT OR RIGHT)

- Notes:
- SPECIFICATIONS CAN BE CHANGED BY SHARON FENCE COMPANY ONLY.
  - FOOTING TO BE (4)X POST WIDTH. MIN DEPTH TO BE 36" [914 MM].
  - GATES MAY BE MANUALLY OR ELECTRICALLY OPERATED. HARDWARE WILL VARY.
  - GATES TABULATED ARE UL-325 COMPLIANT.
  - GATES ARE UNIVERSAL (OPEN TO LEFT OR RIGHT).
  - TOP TRACK AND RAIL: ENCLOSED 1-PC ALUMINUM (6061-T6) EXTRUSION (3.83 LBS PER LF)
  - 1" x 2" ALUMINUM DIAGONAL BRACING WELDED TO 2" SQUARE ALUMINUM UPRIGHTS.

OPENING	GATE POST SPACING
15'	11'-0"
16'	10'-0"
17'	9'-0"
18'	8'-0"

Approved By: \_\_\_\_\_  
Date: \_\_\_\_\_